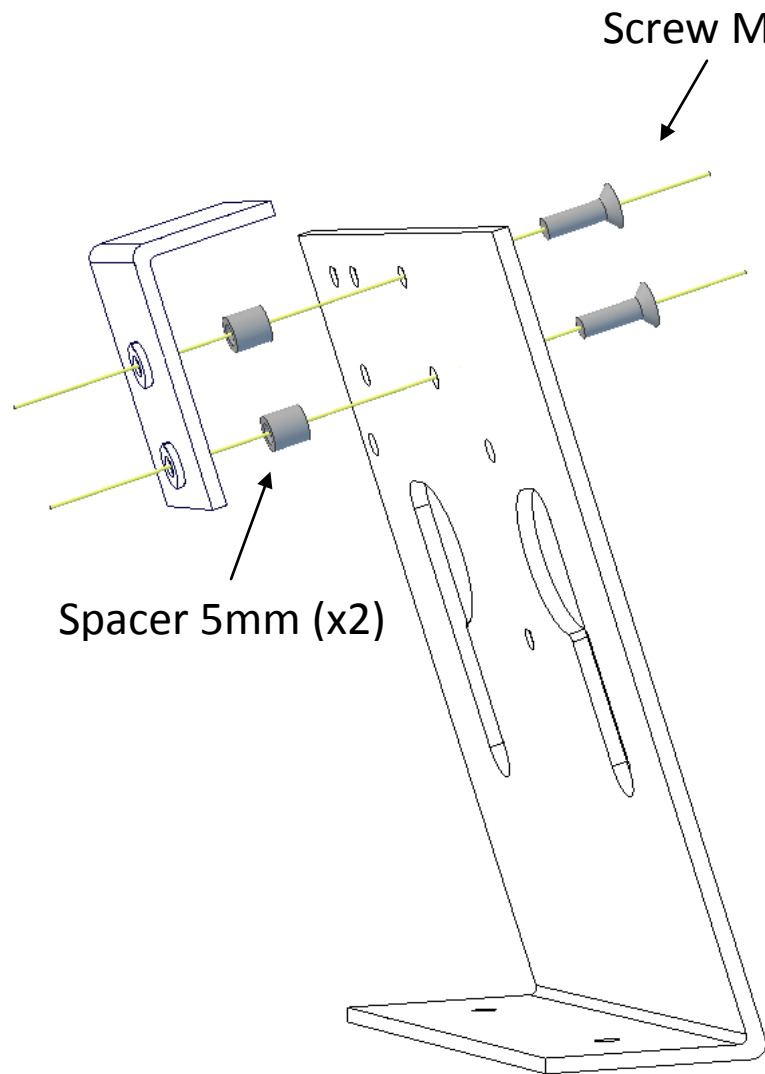


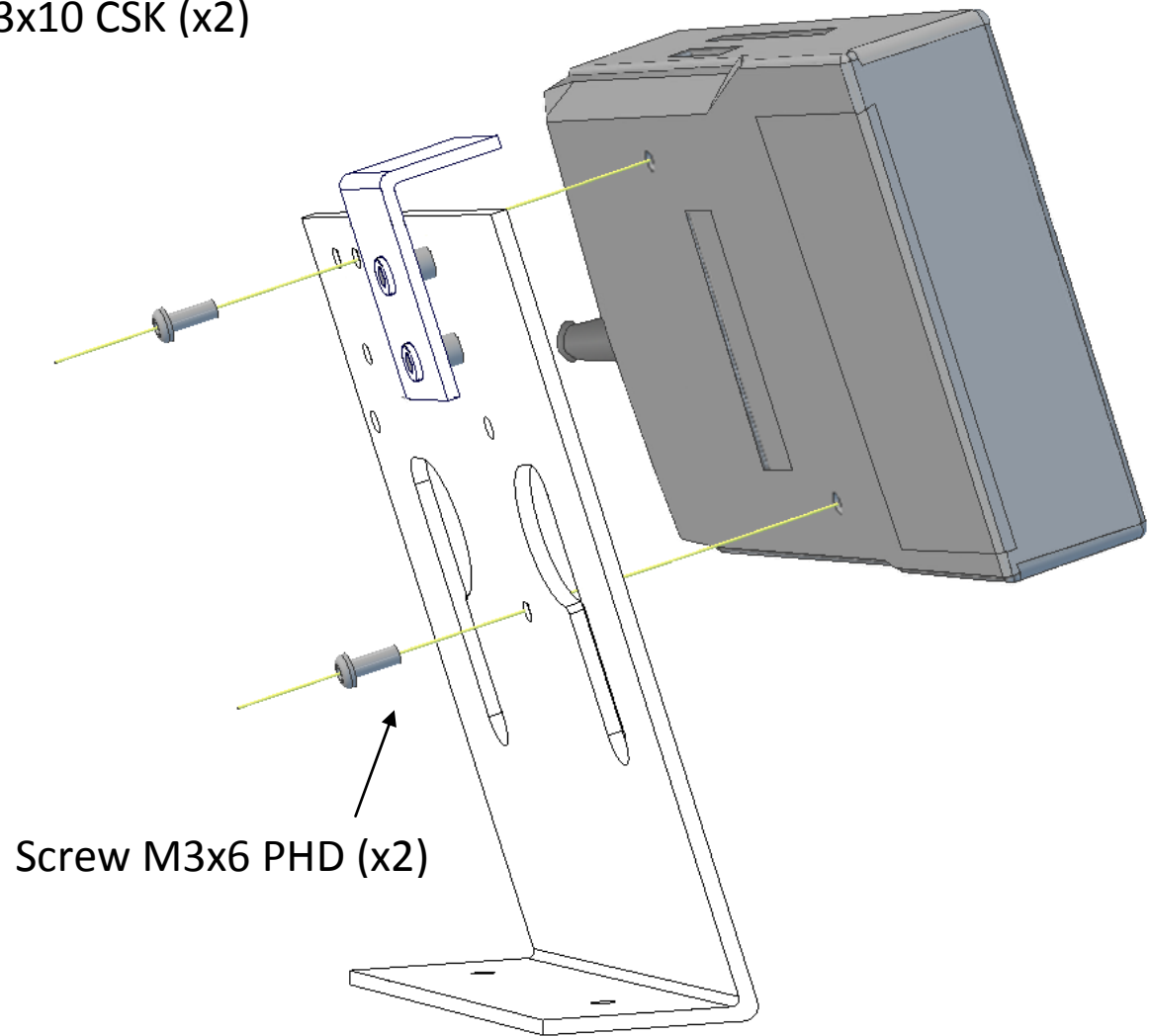
Mounting Bracket Assembly



Step 1

Screw M3x10 CSK (x2)

Spacer 5mm (x2)



Step 2

Screw M3x6 PHD (x2)